

THE CENTER

Open Call for Artists and Designers
CENTER CAMPUS BIKE RACKS
Deadline for submissions: April 28, 2023

Introduction:

Center for the Arts, Jackson Hole Community Pathways, and Friends of Pathways wish to encourage the use of alternative forms of transportation when visiting Center for the Arts (The Center) campus. The design of four custom bike racks will help make The Center more pedestrian-friendly while celebrating the arts. The project is sponsored by Center for the Arts in partnership with Jackson Hole Community Pathways, Friends of Pathways, and Jackson Hole Public Art.

Partnership:

The mission of Center for the Arts is to connect our creative community by providing a dedicated campus, supporting excellent programming, and nurturing a collaborative spirit. It is The Center's vision to make artistic experience central to Jackson Hole by embracing the values of stewardship, excellence, inclusion, creativity, and respect.

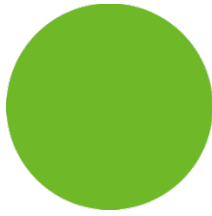
Friends of Pathways supports a vibrant community by promoting sustainable transportation and healthy recreation in Jackson Hole.

Jackson Hole Community Pathways is the jointly funded pathways and trails program of the Town of Jackson and Teton County.

Jackson Hole Public Art forges partnerships for the integration of art into any environment, to inspire lasting cultural, educational, and economic benefits.

The Campus:

Located between Cache and Glenwood streets just south of the town square, our 78,000 square-foot building and adjacent Center Park are a central hub for cultural, artistic, creative, and educational activity in Jackson Hole. We are the bricks-and-mortar, as well as the grassy summer lawn. The Center is home to 20 inspired local, regional, and state-wide nonprofit resident partner organizations. The Center includes the 525-seat Center Theater, 100-seat Black Box Theater, rehearsal space and practice rooms, dance studios, visual arts studios and gallery space, classrooms and lab spaces, administrative offices, and our adjacent outdoor Center Park. An estimated 100,000 people visit our campus annually.



THE CENTER

Project Goal:

The goal of the artwork is to create inviting bike racks that tie to the theme of Center for the Arts. The design should be both highly-functional and take inspiration from our creative campus. This can include specific art forms such as dance, theatre, music, visual arts, and/or a more general expression of art, creativity, and design. We seek artists or teams of artists to submit designs for one or more custom bike racks that will complement the architecture and express the mission.

Media/Style/Size:

All designs should adhere to the following criteria:

- Each rack should follow the Town of Jackson Bike Parking Standard Detail (included below)
- Each rack should accommodate two bicycles
- Support the bicycle upright on a horizontal plane by its frame in two places
- Prevent the wheel of the bicycle from tipping over
- Enable the front or both wheels to be secured
- Support bicycles without a diamond-shaped frame or horizontal top tube
- Allow front-in parking: a U-lock should be able to lock the front wheel and the down tube of an upright bicycle
- It is preferred that racks are accessible and usable from both sides.
- The design should be intuitive to use and accommodate a variety of bike types.

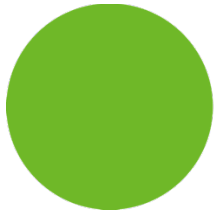
Submission:

Each entry must include the following:

- A PDF file of the design proposal in 8.5"x11" format. Can be a sketch, drawing, or computer-generated rendering
- A short proposal narrative accompanying the graphic representation that includes an explanation of how the design fits within the context of Center for the Arts and is inspired by art, creativity, and design
- The proposed design needs to include scale and measurements based on Town specifications

Selection Process:

Center for the Arts is administering the selection process. Jackson Hole Community Pathways, Friends of Pathways, and Jackson Hole Public Art will participate on an advisory level as well as participate in the selection panel.



THE CENTER

Project Budget:

The final design(s) selected will receive a \$1,000 award and permanent name recognition on the final bike rack(s). The artist is responsible for submitting the design proposal but is not responsible for fabrication.

Contract Requirements:

The selected artist will enter into a contract with Center for the Arts upon selection.

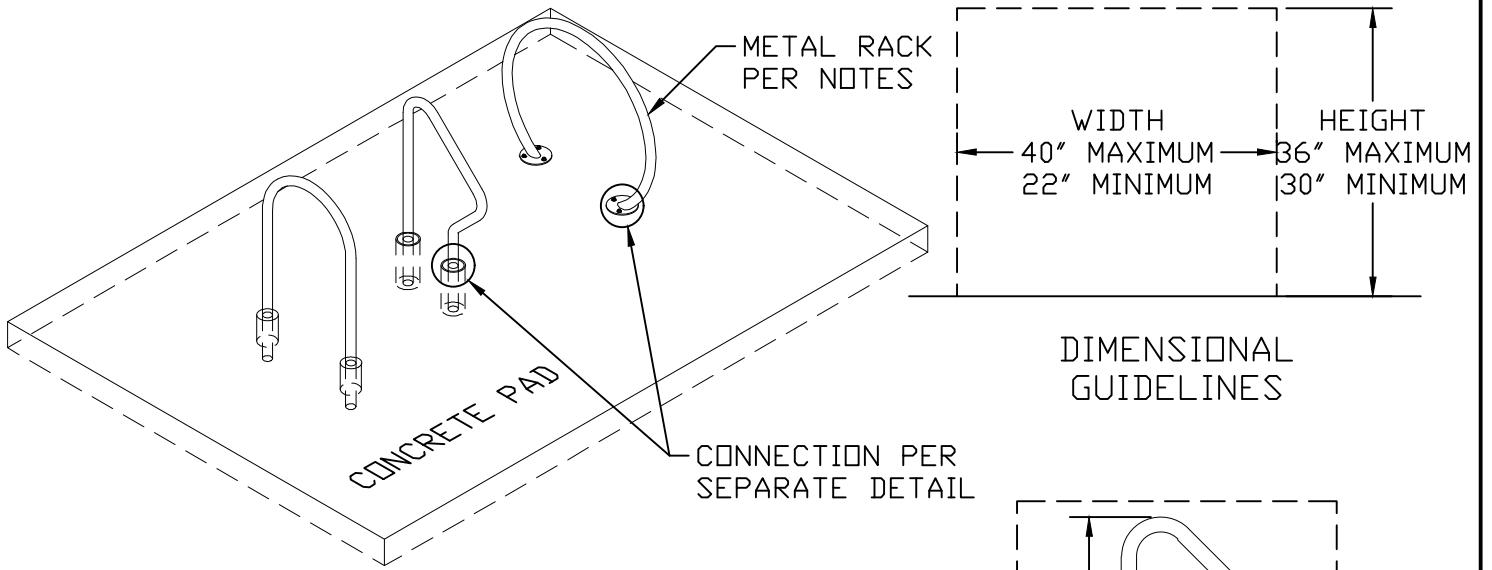
Timeline:

April 28: Deadline for submissions

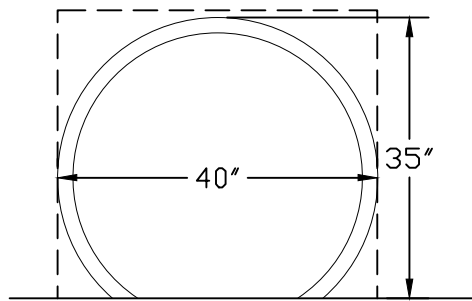
May 5: Selection panel announces finalist(s)

May 12: Artwork is sent to fabrication

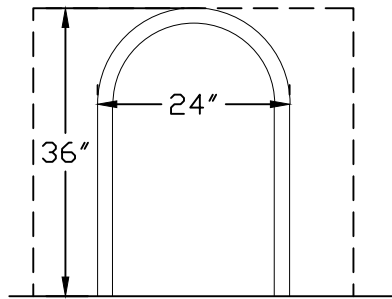
June: Bike racks installed on The Center Campus



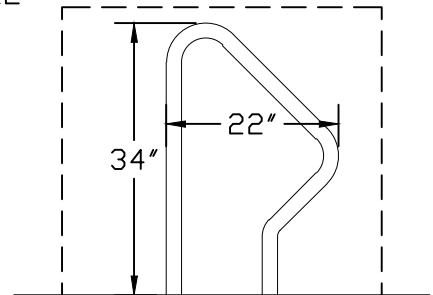
DIMENSIONAL GUIDELINES



SAMPLE 1
ROUND RACK



SAMPLE 2
INVERTED "U"
RACK



SAMPLE 3
"D" RACK

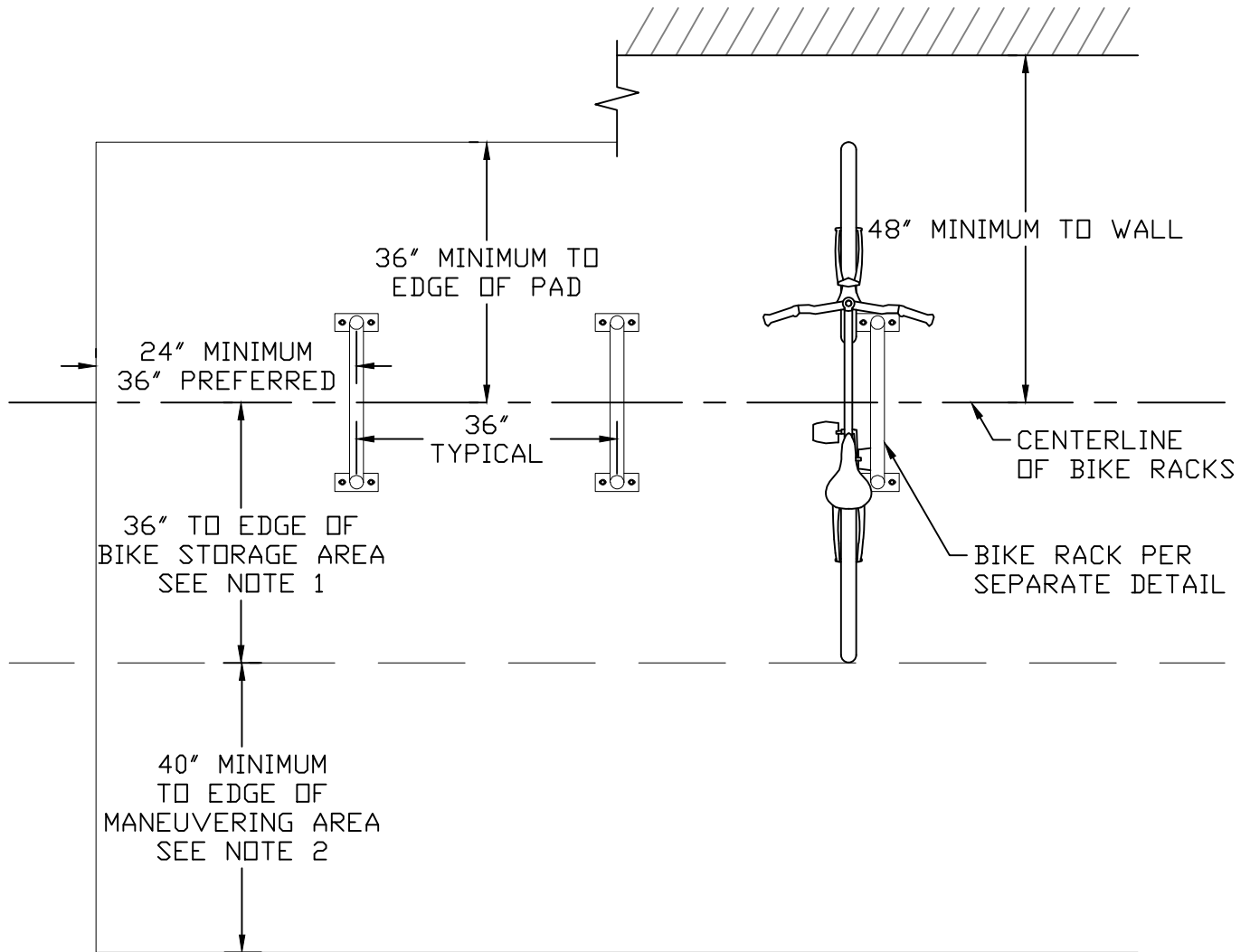
NOTE

1. ALL BIKE RACKS MUST COMPLY WITH THE FOLLOWING STANDARDS. ADDITIONAL STYLES NOT LISTED IN THIS DETAIL MAY BE APPROVED BY THE PATHWAYS COORDINATOR.
 - 1.1. ALL RACKS SHALL BE SECURELY ANCHORED TO A PERMANENT FOUNDATION
 - 1.2. RACKS SHALL BE METAL TUBE WITH A MINIMUM DIAMETER OF 1.5"
 - 1.3. ALLOWABLE FINISHES ARE GALVANIZED, STAINLESS STEEL AND THERMOPLASTIC OR VINYL PAINT
 - 1.4. RACKS MUST PROVIDE SUPPORT TO BIKE FRAME IN TWO PLACES
 - 1.5. RACK MUST PROVIDE SPACE TO SECURE THE FRAME AND ONE OR BOTH WHEELS TO THE RACK WITH A CABLE, CHAIN OR U-LOCK
2. RACKS THAT REQUIRE WHEELS TO BE LIFTED OFF THE GROUND ARE NOT ALLOWED

BIKE RACK STYLES DETAIL

DET NO. DATE: 6/30/22

SCALE: NTS



NOTE

1. FOR OVERSIZED BIKES THIS DIMENSION SHALL BE INCREASED TO 84".
2. THE MANEUVERING AREA MAY BE ANY TRAVERSABLE SURFACE INCLUDING SIDEWALK, PATHWAYS OR OTHER HARDSCAPE, AND PORTIONS OF PARKING NOT ALLOCATED TO PARKING STALLS. THIS AREA MAY NOT INCLUDE VERTICAL OBSTRUCTIONS OR TRAFFIC STREETS.

BIKE RACK SPACING DETAIL

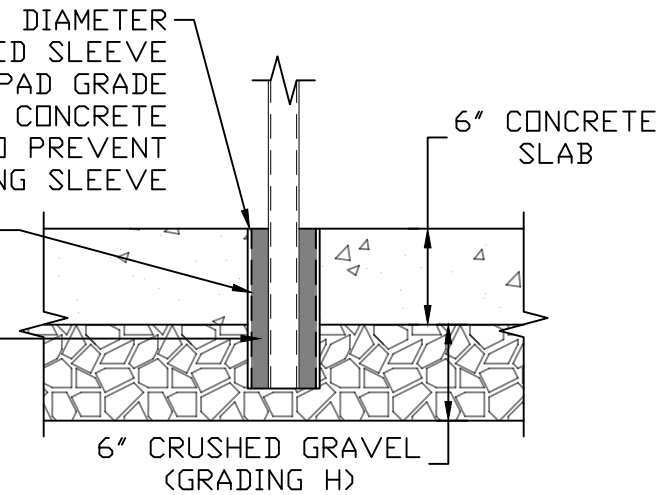
DET NO. DATE: 6/30/22

SCALE: NTS

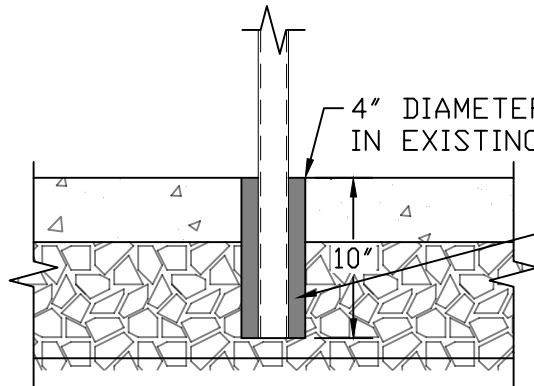
PLACE 4" DIAMETER GALVANIZED SLEEVE WITH TOP AT FINISHED PAD GRADE PRIOR TO POURING CONCRETE COVER OR FILL WITH SAND TO PREVENT CONCRETE FROM ENTERING SLEEVE

AFTER PAD HAS CURED CLEAN OUT SLEEVE AND PLACE RACK

FILL WITH ANCHORING CEMENT OR EPOXY GROUT TO SECURE RACK SECURE RACK IN PROPER POSITION AND LEVEL UNTIL CURED

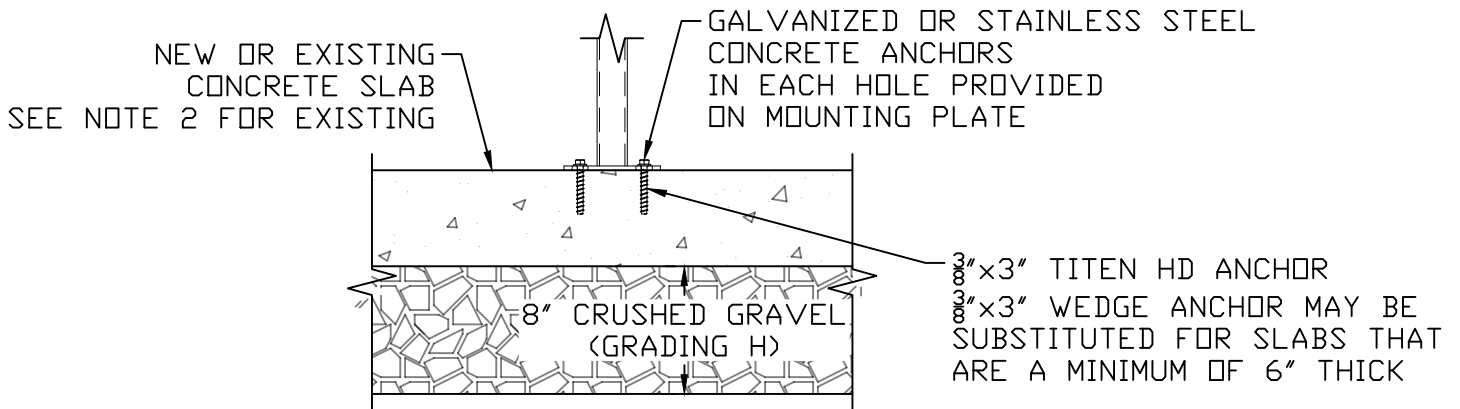


6" CRUSHED GRAVEL (GRADING H)
IN-GROUND MOUNT
NEW CONCRETE PAD



FILL WITH POR-ROK ANCHORING CEMENT OR APPROVED EQUAL TO SECURE RACK ENSURE RACK IS PROPERLY POSITIONED AND LEVEL

IN-GROUND MOUNT
EXISTING CONCRETE PAD



SURFACE MOUNT

NOTE

1. SURFACE MOUNTED RACKS MAY BE PLACED ON EXISTING CONCRETE SLABS PROVIDED THEY DO NOT HAVE EXCESSIVE CRACKING AND HAVE A MINIMUM THICKNESS OF 4".
2. MULTIPLE RACKS MAY BE MOUNTED ON RAILS PROVIDED THE RAIL IS SECURELY ANCHORED TO A PERMANENT FOUNDATION

BIKE RACK MOUNTING DETAIL

DET NO. DATE: 6/30/22

SCALE: NTS